



TT00032

Camshaft & Lash Adjuster Design Change For 2005 Ford 5.4L VIN 5 Engines

S. B. International, Inc., offers the following information regarding a revised camshaft & lash adjuster for 2005 Ford 5.4L VIN 5 engines. These engines can also be identified by the three valves per cylinder head design.

The 5.4L 3-valve engine lash adjuster and camshaft design has been modified for the 2005 model year (MY). Do not use 2005 MY parts when servicing a 2004 MY engine, or 2004 MY parts when servicing a 2005 MY engine. If parts are intermixed during a service repair, the engine may exhibit noises on affected cylinders and engine damage may result.

To assist in determining which MY engine you're working on, the engine model year should be confirmed by checking the engine tag located on the valve cover. A 2004 MY engine will have code 4G-692-AA and a 2005 MY engine will be identified as 5G-692-AA.

2004 and 2005 MY camshafts can be visually identified by the location of the variable cam timing phaser (VCT) pin notch in relation to the machining lug, as seen on the end of the camshafts (See **Figures 1 and 2**).

2004 and 2005 MY lash adjusters can be visually identified by the presence or lack of an identification groove cut into the lash adjuster boss as shown in **Figure 3**. The 2005 MY parts will have this identification groove cut into the boss, while the 2004 MY parts will not.

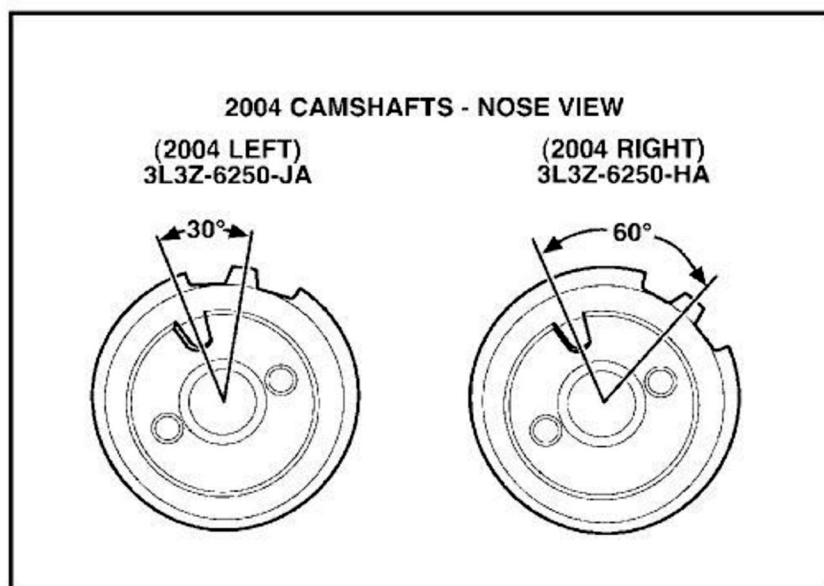


Figure 1

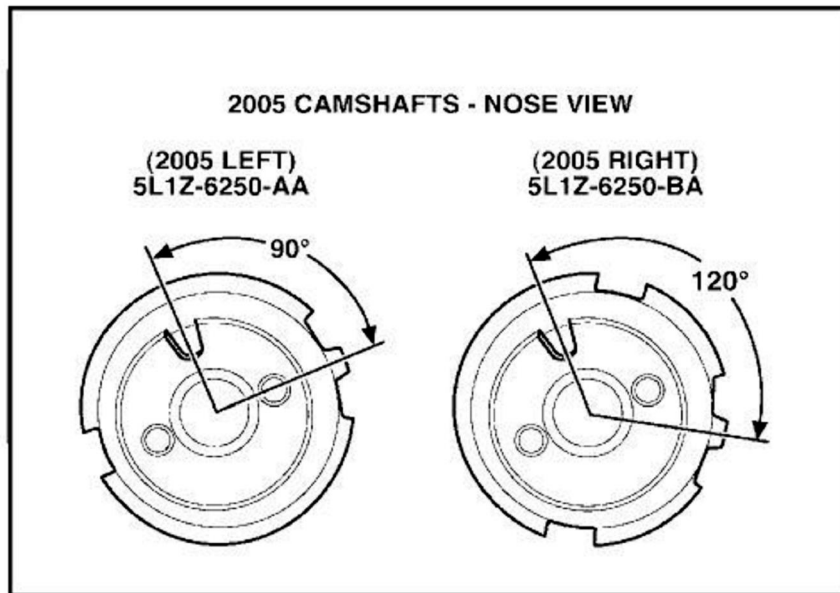


Figure 2

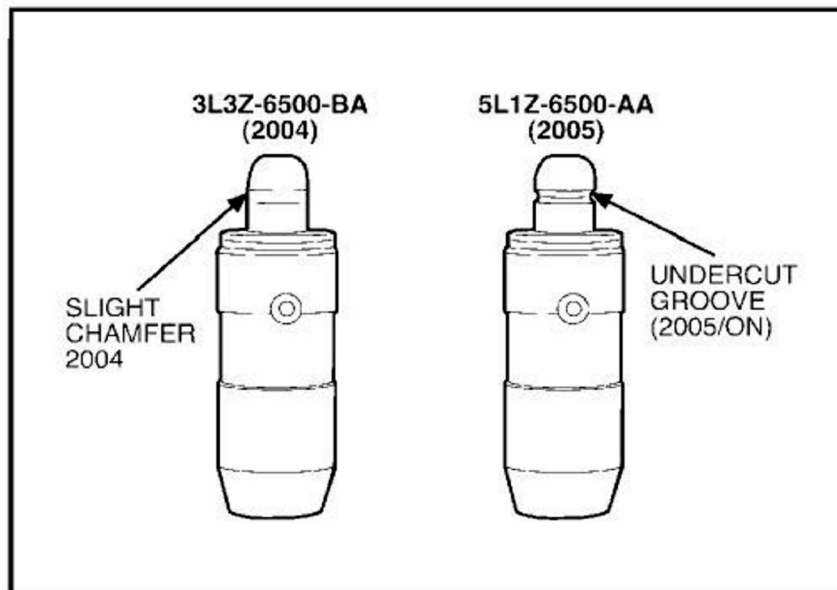


Figure 3

**Information is from best available sources and is accurate at the time of publication.
However, S. B. International, Inc., ASSUMES NO RESPONSIBILITY and cannot be held liable
for any results or consequences regarding the use of this information.**